

1141270
AIRONE 200 NEO 230V 50HZ SPH H30 200KG

3300496_1141270_R00W - R00W (1/3/2024)



Access Platform Division

Via San Francesco d'Assisi, 8 - 46020 Pegognaga (Mantova) - ITALY Tel. +39 0376
554011 - Fax +39 0376 559855

www.imergroup.com

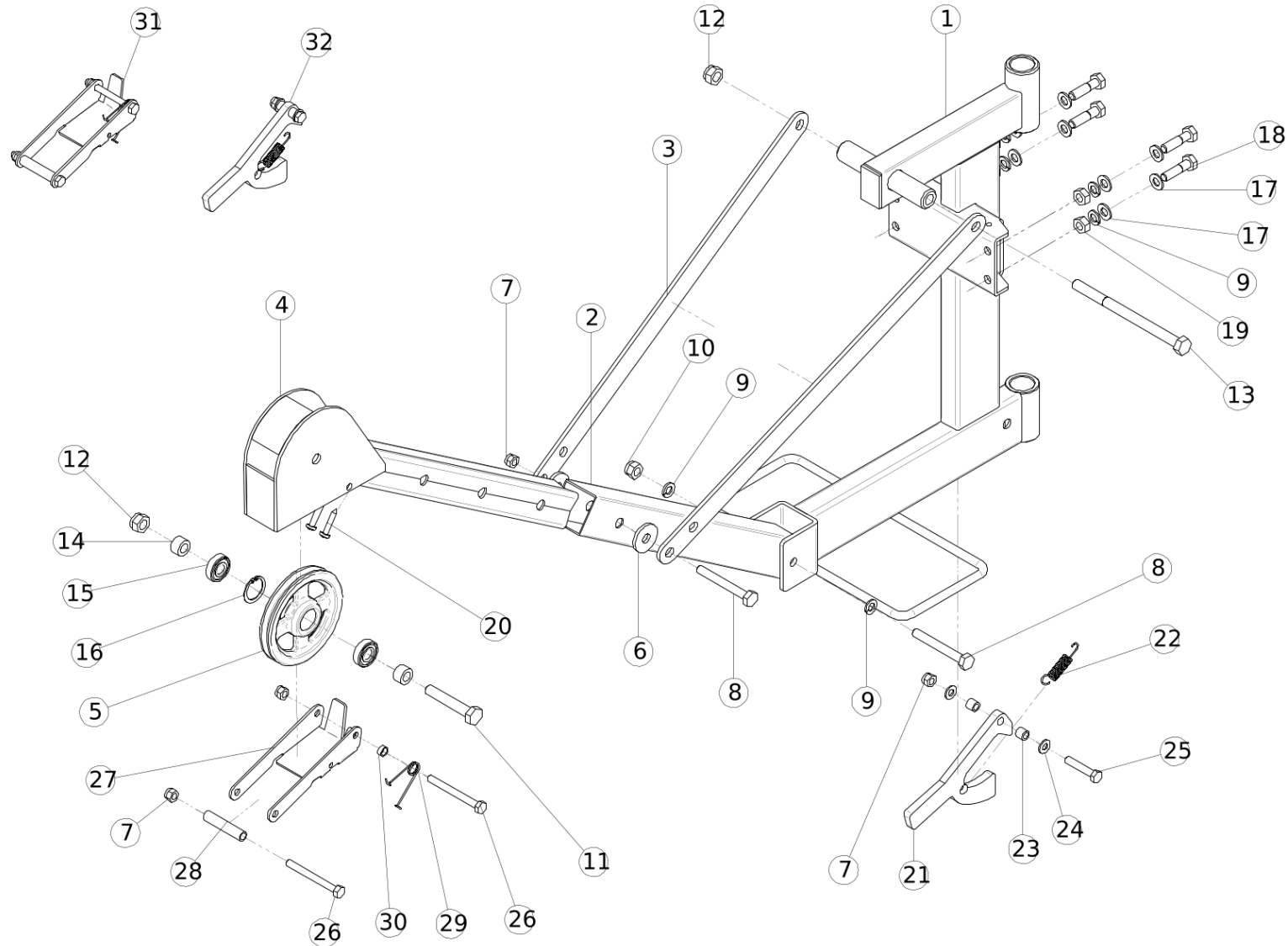
Building Equipment Division

Via della Meccanica, 39 (Zona Industriale Sentino) - 53040 Rapolano Terme
(Siena) - ITALY - Tel. +39 0577 97341 - Fax +39 0577 704077

www.imergroup.com

www.imerglobalcustomercare.com

FRAME



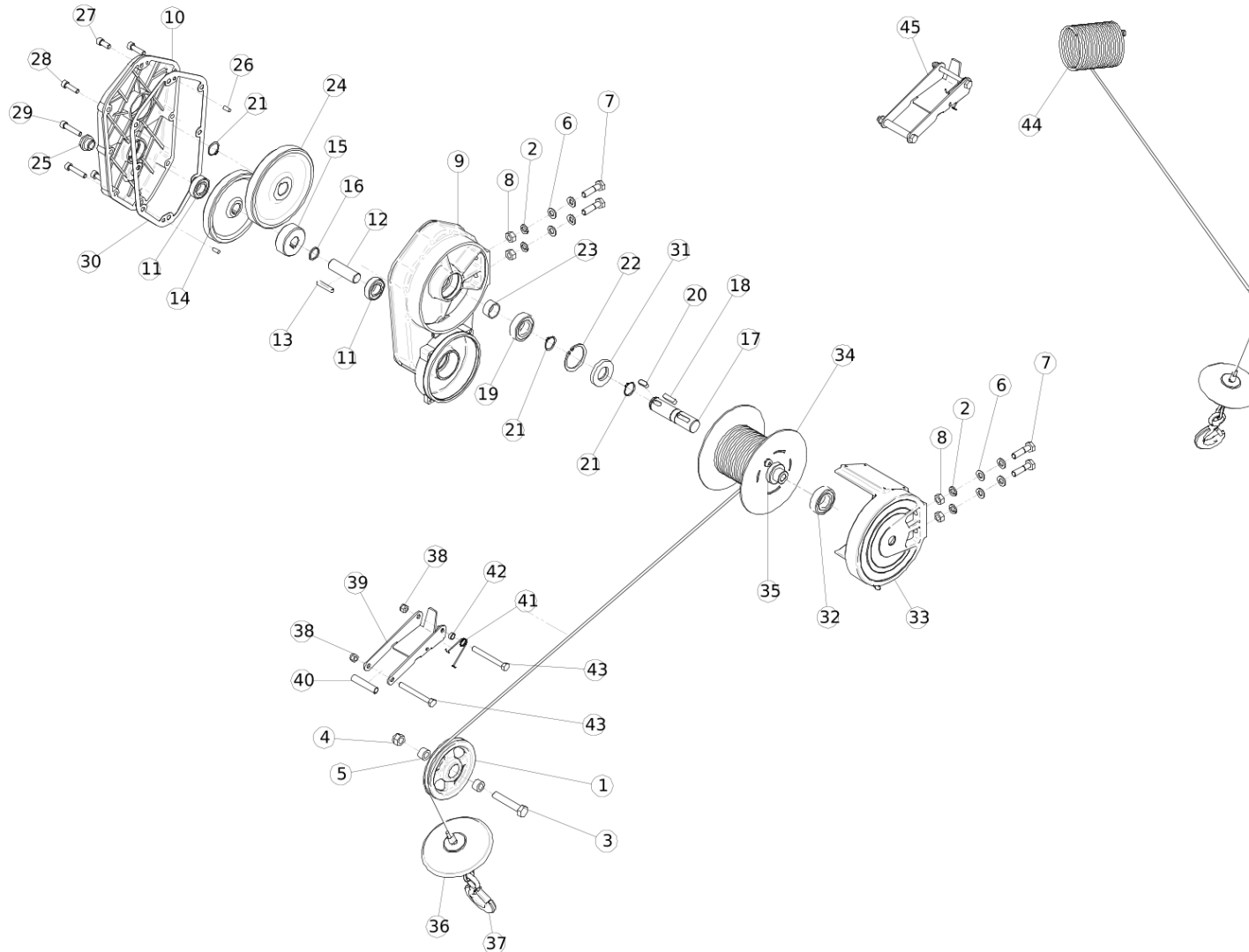


N.	CODE	DESCRIPTION	UM	QTY
1	3300483			1.0
2	3225263	ARM	PZ	1.0
3	3213410	Tie rod	PZ	2.0
4	3225261	ARM	PZ	1.0
5	3213467	PULLEY	PZ	1.0
6	2224206	WASHER/MN	PZ	2.0
7	2223923	LOCK NUT	PZ	4.0
8	2222145	SCREW	PZ	2.0
9	2224074	2224074 WASHER LOCK	PZ	6.0
10	2223920	SELF-LOCKING NUT	PZ	1.0
11	2222008	SCREW	PZ	1.0
12	2223921	NUT	PZ	2.0
13	3213471	SCREW	PZ	1.0
14	3213469	SPACER	PZ	2.0
15	2204420	Bearing	PZ	2.0
16	2227600	STOP RING	PZ	1.0
17	2224340	ROLLER/MORTAR PUMP	PZ	8.0
18	2222099	SCREW	PZ	4.0
19	2223650	NUT	PZ	4.0
20	3213493	SCREW SELF-THREATING 6954 6,3X32 Z		2.0
21	3300485	HANDLE		1.0



N.	CODE	DESCRIPTION	UM	QTY
22	3224645	LIMIT SWITCH SPRING BE 200	PZ	1.0
23	3300304	HANDLE SPACER		2.0
24	2224140	ROLLER 6593	PZ	2.0
25	2222189	BOLT/SAW	PZ	1.0
26	2222110	SCREW	PZ	2.0
27	3300493	LIMIT SWITCH LEVER		1.0
28	3300491	LIMIT SWITCH LEVER SPACER		1.0
29	3213466	SPRING	PZ	1.0
30	3300487	SPRING BUSHING LIMIT SWITCH		1.0
31	3300494			1.0
32	3300486			1.0

GEARBOX AND STEEL ROPE





N.	CODE	DESCRIPTION	UM	QTY
1	3213467	PULLEY	PZ	1.0
2	2224074	2224074 WASHER LOCK	PZ	4.0
3	2222008	SCREW	PZ	1.0
4	2223921	NUT	PZ	1.0
5	3213469	SPACER	PZ	2.0
6	2224340	ROLLER/MORTAR PUMP	PZ	8.0
7	2222099	SCREW	PZ	4.0
8	2223650	NUT	PZ	4.0
9	3300264	SHELL	PZ	1.0
10	3225254	GEARMOTOR FLANGE	PZ	1.0
11	2204440	Bearing	PZ	2.0
12	2201130	SHAFT	PZ	1.0
13	2229327	KEY	PZ	1.0
14	3213528	GEAR Z76 M1,75	PZ	1.0
15	2202497	GEAR WHEEL	PZ	1.0
16	2237301	SPACER	PZ	1.0
17	3300269	DRUM TREE		1.0
18	2229400	KEY	PZ	1.0
19	2204550	Bearing	PZ	1.0
20	2229450	KEY	PZ	1.0
21	2227280	2227280 RING SNAP	PZ	3.0



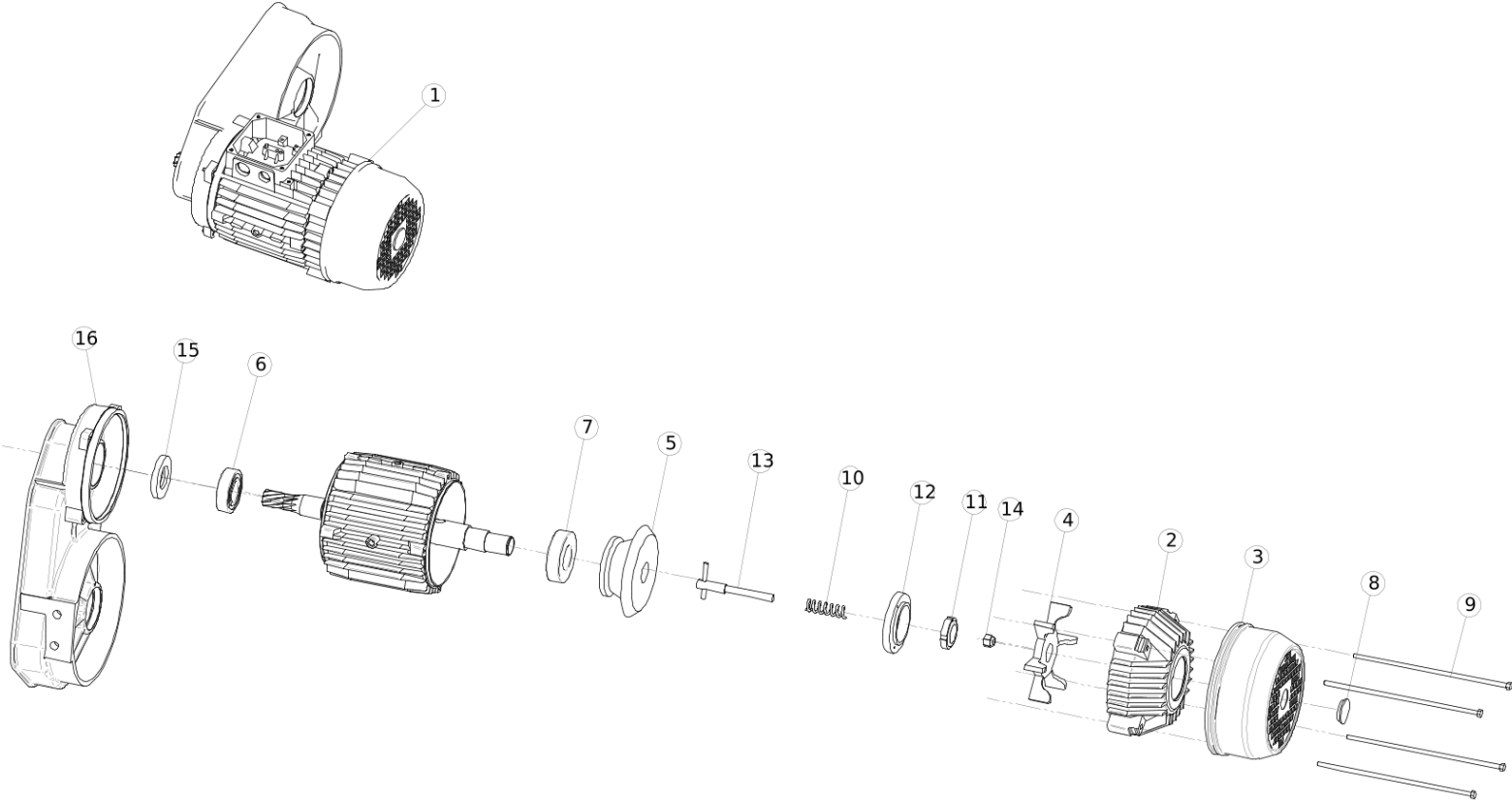
N.	CODE	DESCRIPTION	UM	QTY
22	2227700	STOP RING	PZ	1.0
23	2237299	SPACER	PZ	1.0
24	2202499	GEAR WHEEL	PZ	1.0
25	2235420	level	PZ	1.0
26	2228820	Gudgeon pin	PZ	2.0
27	2222509	SCREW	PZ	1.0
28	2222513	SCREW	PZ	2.0
29	2222514	SCREW	PZ	5.0
30	2216331	GASKET	PZ	1.0
31	2207355	STOP RING	PZ	1.0
32	2204391	Bearing	PZ	1.0
33	3300277	DRUM SUPPORT	PZ	1.0
34	3300274	DRUM ELEVATOR '23	PZ	1.0
35	3300281	SCREW		1.0
36	2214510	BALLAST B 300	PZ	1.0
37	2213267	HOOK	PZ	1.0
38	2223923	LOCK NUT	PZ	2.0
39	3300493	LIMIT SWITCH LEVER		1.0
40	3300491	LIMIT SWITCH LEVER SPACER		1.0
41	3213466	SPRING	PZ	1.0
42	3300487	SPRING BUSHING LIMIT SWITCH		1.0



N.	CODE	DESCRIPTION	UM	QTY
43	2222110	SCREW	PZ	2.0
44	3300914	WIRE ROPE	PZ	1.0
45	3300494			1.0



ELECTRIC MOTOR

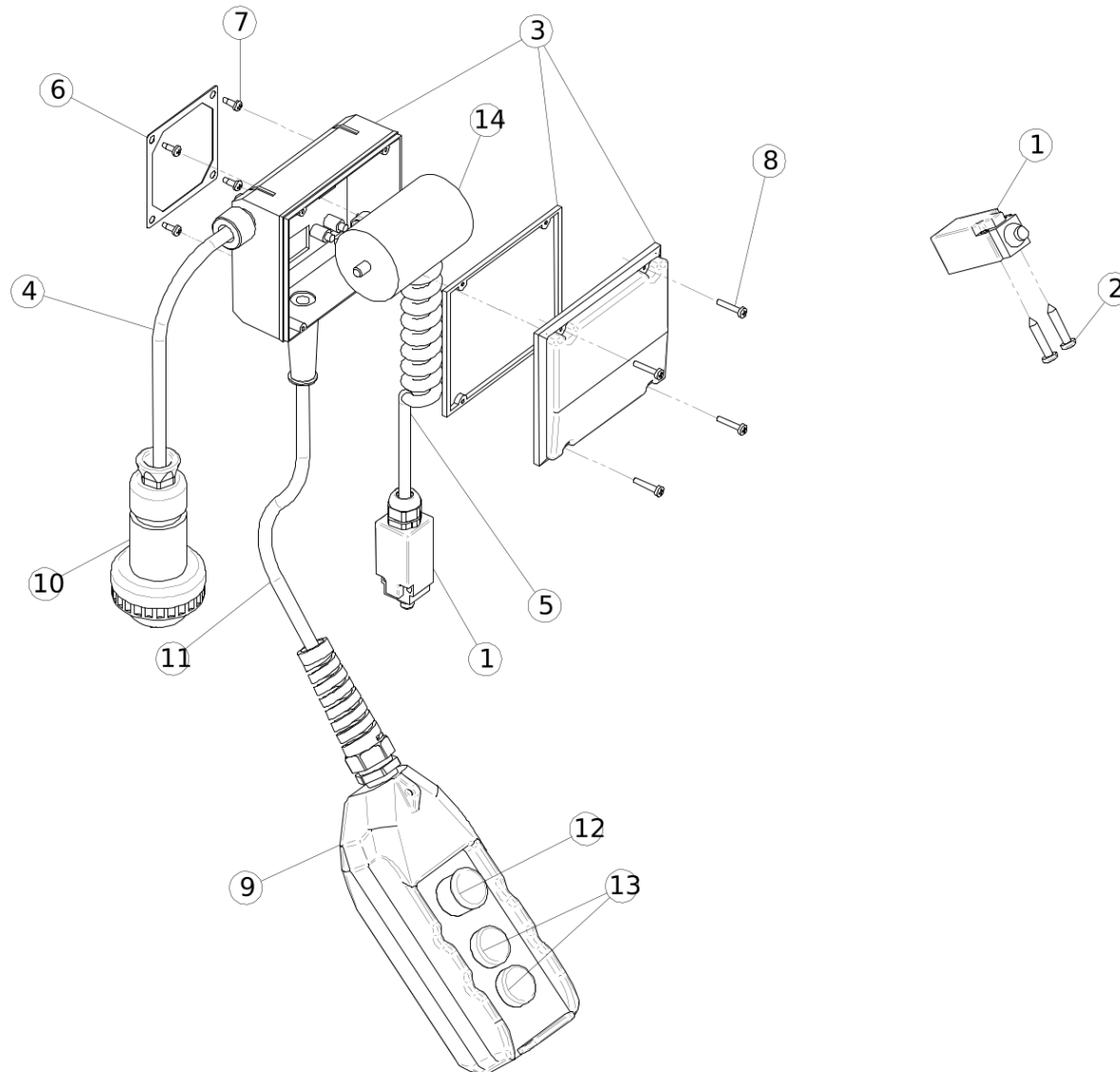




N.	CODE	DESCRIPTION	UM	QTY
1	3300267	ELECTRIC MOTOR	PZ	1.0
2	3225014	REAR SHIELD ENGINE 4369 230V	PZ	1.0
3	3225020	MOTOR FAN COVER 4369 230V BE200	PZ	1.0
4	3225019	MOTOR FAN	PZ	1.0
5	3225012	BLOCK FOR BRAKE	PZ	1.0
6	2204391	Bearing	PZ	1.0
7	2204391	Bearing	PZ	1.0
8	3225021	MOTOR FAN COVER CAP 4369 230V	PZ	1.0
9	3230646	SCREW		4.0
10	3225015	ENGINE BRAKE SPRING 4369 230V	PZ	1.0
11	3225017	ENGINE LOCKING RING CG0250150 M25X1,5	PZ	1.0
12	3225013	ENGINE LOCKING NUT FIR 2344036	PZ	1.0
13	3225016	ENGINE CYLINDER 4369 230V	PZ	1.0
14	3225034	NUT. M.8 SX Z	PZ	1.0
15	2207355	STOP RING	PZ	1.0
16	3300264	SHELL	PZ	1.0



ELECTRIC PANEL AND REMOTE CONTROL





N.	CODE	DESCRIPTION	UM	QTY
1	3213443	DOWN LIMIT SWITCH	PZ	2.0
2	3213493	SCREW SELF-THREATING 6954 6,3X32 Z		2.0
3	3234395	COMPLETE ELECTRIC BOX AIRONE 200N+300N	PZ	1.0
4	2277799	NEOPRENE CABLE H07RNF3X1,5L85		1.0
5	3213472	CABLE	PZ	1.0
6	2216321	GASKET	PZ	1.0
7	2222460	SCREW/CONC.MIXER	PZ	4.0
8	2222445	SCREW	PZ	4.0
9	3231738	PUSH BUTTON PANEL 3P 30A 3NO+1NC + M25 D	PZ	1.0
10	3203504	PIN	PZ	1.0
11	2277646	CABLE	M	1.0
12	3234223	'EMERGENCY BUTTON "K" ELEVATOR PUSH BU	PZ	1.0
13	3301400		PZ	1.0
14	3224720	CAPACITOR	PZ	1.0



Access Platform Division

Via San Francesco d'Assisi, 8 - 46020 Pegognaga (Mantova) - ITALY Tel. +39 0376
554011 - Fax +39 0376 559855

www.imergroup.com

Building Equipment Division

Via della Meccanica, 39 (Zona Industriale Sentino) - 53040 Rapolano Terme
(Siena) - ITALY - Tel. +39 0577 97341 - Fax +39 0577 704077

www.imergroup.com